

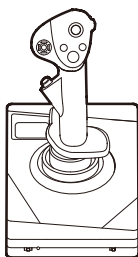
# Instruction manual

Thank you for purchasing this product.

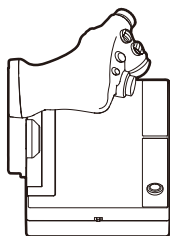
Before using this product please read the instructions carefully.

After reading the instruction manual, please keep it for reference.

## Included



Joystick ×1



Throttle ×1



Suction cups ×8



Handrest Extender ×1

## Platform

### Xbox Series X|S / Xbox One / Windows 11

|                     |                               |
|---------------------|-------------------------------|
| System requirements | USB Port, Internet Connection |
|---------------------|-------------------------------|

\* Functions as PC controller through XInput.  
This product does not support DirectInput.

#### Important

Before using this product with the Xbox Series X|S / Xbox One system, please read the included instructions carefully.

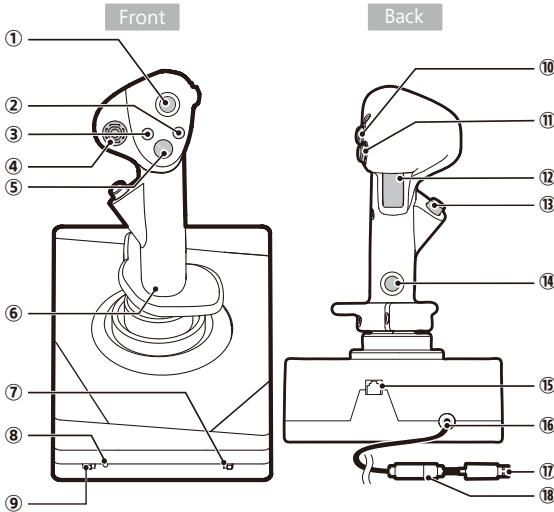
Please check that your Xbox Series X|S / Xbox One is updated to the latest system firmware.

This product is designed for the Xbox Series X|S, but it can also be used with the Xbox One and Windows 10 by following the instructions in this manual.

# Layout

\* Parts names are based on Gamepad Mode.

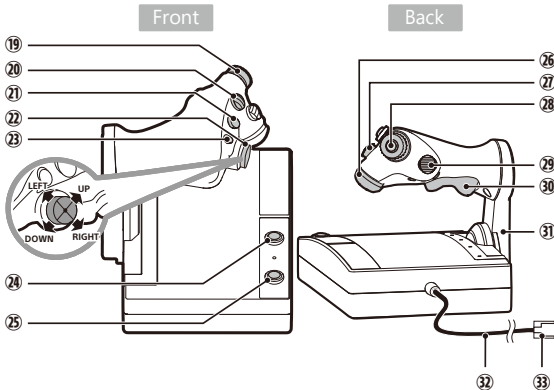
## 【Joystick】



## Joystick

|   |                                      |                        |
|---|--------------------------------------|------------------------|
| ① ... Right Stick / RSB                       | [Flight Mode] UP/DOWN : Extra Axis 2 | [PC] UP/DOWN : Ry Axis |
|   | LEFT/RIGHT : Extra Axis 1            | LEFT/RIGHT : Rx Axis   |
|   | RSB : Fire 1                         | RSB : 13 Button        |
| ② ... X Button                                |                                      | [PC] 3 Button          |
| ③ ... Y Button                                |                                      | [PC] 4 Button          |
| ④ ... D-Pad                                   |                                      |                        |
| ⑤ ... B Button                                |                                      | [PC] 2 Button          |
| ⑥ ... Left Stick                              | [Flight Mode] UP/DOWN : Pitch Axis   | [PC] UP/DOWN : Y Axis  |
|   | LEFT/RIGHT : Roll Axis               | LEFT/RIGHT : X Axis    |
| ⑦ ... Mode Toggle Switch                      |                                      |                        |
| ⑧ ... 3.5mm port                              |                                      |                        |
| ⑨ ... Joystick Sensitivity Toggle Switch      |                                      |                        |
| ⑩ ... VIEW Button                             |                                      | [PC] 10 Button         |
| ⑪ ... MENU Button                             |                                      | [PC] 11 Button         |
| ⑫ ... A Button                                |                                      | [PC] 1 Button          |
| ⑬ ... LSB + RSB                               | [Flight Mode] NEXT Button            | [PC] 5 Button          |
| ⑭ ... LB + RB Button                          | [Flight Mode] Fire 2                 | [PC] 6 Button          |
| ⑮ ... Modular Jack (To connect Throttle unit) |                                      |                        |
| ⑯ ... Controller cable                        |                                      |                        |
| ⑰ ... USB Connector                           |                                      |                        |
| ⑱ ... Inline release                          |                                      |                        |

## 【Throttle】



## Throttle

|   |                             |                |
|---|-----------------------------|----------------|
| ⑲ ... Non-function (Decorative purpose only)          |                             |                |
| ⑳ ... Non-function (Decorative purpose only)          |                             |                |
| ㉑ ... AUDIO Button                                    |                             |                |
| ㉒ ... D-Pad (UP, DOWN, LEFT, RIGHT)                   | [Flight Mode] UP : Hat Up   |                |
|   | DOWN : Hat Down             |                |
|   | LEFT : Hat Left             |                |
|   | RIGHT : Hat Right           |                |
| ㉓ ... LT + RT Button                                  | [Flight Mode] PREV Button   | [PC] 7 Button  |
| ㉔ ... SHARE Button                                    |                             | [PC] 12 Button |
| ㉕ ... Xbox® Button                                    |                             | [PC] 9 Button  |
| ㉖ ... Non-function (Decorative purpose only)          |                             |                |
| ㉗ ... Non-function (Decorative purpose only)          |                             |                |
| ㉘ ... Non-function (Decorative purpose only)          |                             |                |
| ㉙ ... LSB   |                             | [PC] 8 Button  |
| ㉚ ... Ladder (From Front View)                        | RIGHT : RB Button           |                |
|   | LEFT : LB Button            |                |
|   | [Flight Mode] Yaw Axis      | [PC] Rz Axis   |
| ㉛ ... Throttle (From Front View)                      | UP : RT Button              |                |
|   | DOWN : LT Button            |                |
|   | [Flight Mode] Throttle Axis | [PC] Z Axis    |
| ㉜ ... Modular Cable                                   |                             |                |
| ㉝ ... Modular Connector (To connect to Joystick unit) |                             |                |

# Mode Toggle Switch

Can toggle between Flight Mode, PAD Mode and PC Mode.

\* Toggle the switch before connecting.

FLIGHT PAD PC



FLIGHT PAD PC



FLIGHT PAD PC



## How to connect

① Insert the modular connector to the joystick modular jack.

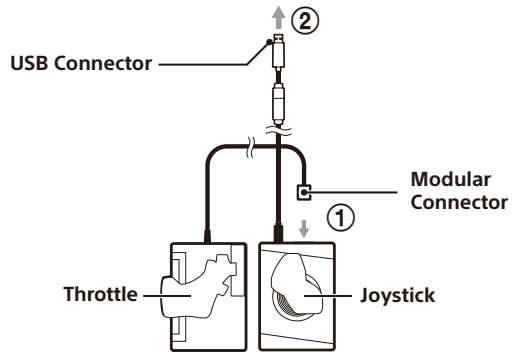
\* Joystick must be connected to the throttle before use.

② Insert the USB connector to the Xbox Series X|S.

\* Plugging and unplugging during gameplay may cause a malfunction.

\* Reconnect the connector if any malfunction occurs.

Xbox Series X|S console USB port



## ⚠ The Inline Release



Your controller cord has an inline release. This is a safety feature designed to reduce the chance of the Xbox Series X|S console or computer falling when the cord is pulled.

If the console or computer falls and hits someone, especially a small child, it could cause serious injury.

To reduce the risk of injuries or damage to the console or computer, it is important to use the controller and the inline release properly.

Use the controller connector, not the inline release, to routinely connect and disconnect the controller.

If an inline release disconnects, simply reconnect it by aligning the grooved indentations and pressing the two parts completely together.

The controller will not work unless the inline release is connected properly. Never tape, glue, or otherwise prevent an inline release from pulling apart.

The inline release reduces, but does not eliminate, the risk of the computer or console being pulled off its surface.

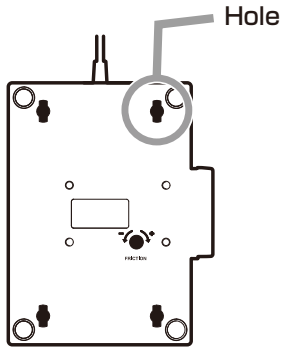
To further reduce the risk:

- Do not allow anyone to pull on the controller or controller cord in a way that causes the computer or console to move.
- Do not allow controller cords to become crossed or tangled with one another.

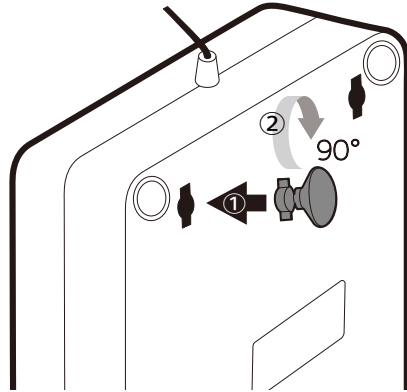
## Attaching the Suction Cups

- ① Insert the suction cups into the holes located on the bottom side of joystick and throttle.
- ② Rotate the suction cups 90 degrees to lock in place.

\*Please attach to smooth, flat, stable surface.

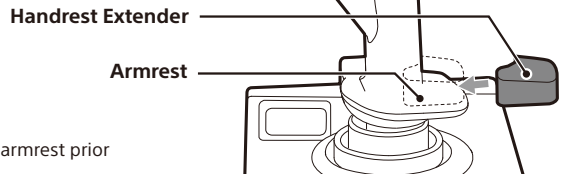


Throttle Bottom Side



## Attaching the Handrest Extender

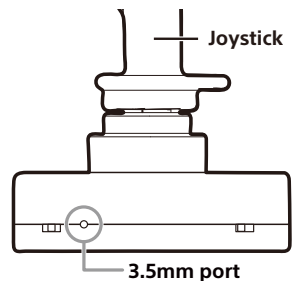
If you feel the joystick does not fit for your hands, try attaching the grip pad to the base of the joystick. Peel off the sheet on the backside of the grip pad and affix onto the base of the joystick as shown in the diagram.



\*Make sure to remove any dust or dirt from the armrest prior to affixing the Handrest Extender.

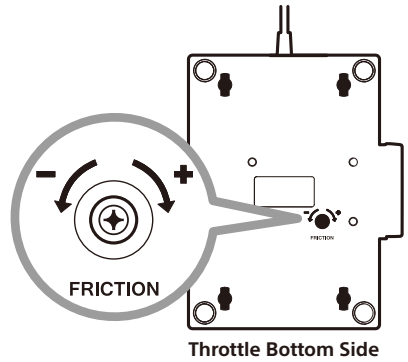
## 3.5mm port

You can connect Headphone/Headset to 3.5mm port. Before placing a headset onto your ears, make sure to lower the volume to avoid hearing damage.



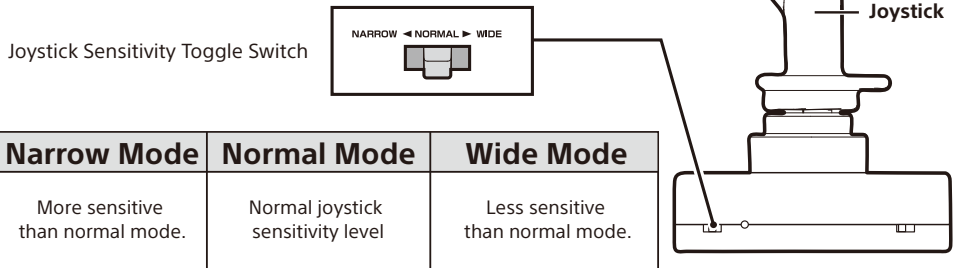
## Adjusting throttle resistance

The resistance can be adjusted by turning the screw located on the bottom side of the throttle.



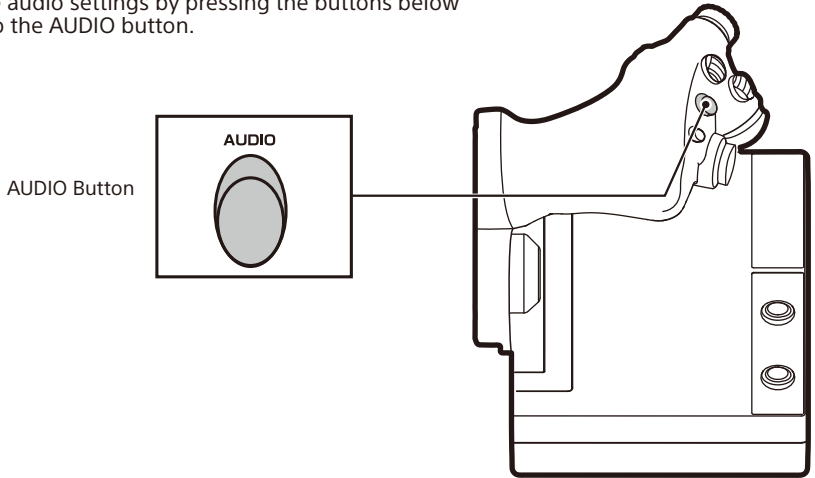
## Adjusting joystick sensitivity

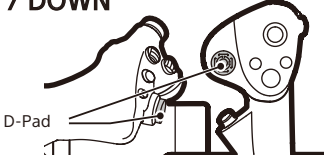
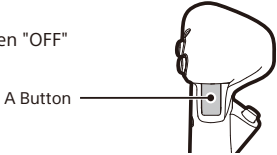
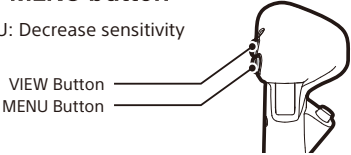
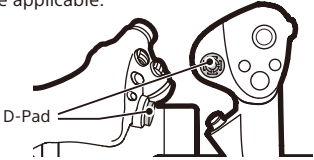
The joystick sensitivity toggle switch can be set to 3 different levels of sensitivity.



## AUDIO Function

You can adjust the audio settings by pressing the buttons below while holding onto the AUDIO button.



| Functions  |  |
|--|--|
| <p><b>Volume Adjustment</b></p>  | <p><b>AUDIO Button + D-Pad UP / DOWN</b></p> <p>*D-Pad on either main stick or throttles are applicable.</p>  <p>D-Pad</p>   |
| <p><b>Mic mute setting</b></p>   | <p><b>AUDIO Button + A Button</b></p> <p>*Beeps once when "ON", beeps twice when "OFF"</p>  <p>A Button</p>   |
| <p><b>Mic Input Sensitivity Adjustment</b></p>                         | <p><b>AUDIO Button + VIEW / MENU button</b></p> <p>*VIEW: Increase sensitivity, MENU: Decrease sensitivity</p>  <p>VIEW Button<br/>MENU Button</p>   |
| <p><b>Mixer</b></p> <p>Adjust in-game volume and voice chat volume</p> | <p><b>AUDIO Button + D-Pad LEFT / RIGHT</b></p> <p>*D-Pad on either joystick or throttles are applicable.</p> <p>* Left : In-game volume (MAX),<br/>Voice chat volume (MIN)</p> <p>* Right : In-game volume (MIN),<br/>Voice chat volume (MAX)</p>  <p>D-Pad</p> |

## Caution

- Never disassemble, repair, or modify this product.
- Keep the controller away from dusty or humid areas.
- Do not apply strong impact or weight on the product.
- Do not pull roughly or bend the cable of the controller.
- If product needs cleaning, use only a soft dry cloth. Do not use any chemical agents like benzine or thinner.
- Keep this product out of the reach of children under 3.

The normal function of the product may be disturbed by strong electro-magnetic interference. If so, simply reset the product to resume normal operation by following the instruction manual (How to connect). In case the function does not resume, please relocate to an area which does not have electro-magnetic interference to use the product.

The wires are not to be inserted into socket-outlets.  
The packaging must be retained since it contains important information.

### PRODUCT DISPOSAL INFORMATION

Where you see this symbol on any of our electrical products or packaging, it indicates that the relevant electrical product or battery should not be disposed of as general household waste in Europe. To ensure the correct waste treatment of the product and battery, please dispose of them in accordance with any applicable local laws or requirements for disposal of electrical equipment or batteries. In so doing, you will help to conserve natural resources and improve standards of environmental protection in treatment and disposal of electrical waste. Applicable to EU countries and Turkey only.



EU and Turkey only

### THE FCC WANTS YOU TO KNOW

This device complies with part 15 of the FCC Rules. Operation is subject to the following two conditions: (1) This device may not cause harmful interference, and (2) this device must accept any interference received, including interference that may cause undesired operation.

NOTE: This equipment has been tested and found to comply with the limits for a Class B digital device, pursuant to part 15 of the FCC Rules. These limits are designed to provide reasonable protection against harmful interference in a residential installation. This equipment generates, uses and can radiate radio frequency energy and, if not installed and used in accordance with the instructions, may cause harmful interference to radio communications. However, there is no guarantee that interference will not occur in a particular installation. If this equipment does cause harmful interference to radio or television reception, which can be determined by turning the equipment off and on, the user is encouraged to try to correct the interference by one or more of the following measures:

- Reorient or relocate the receiving antenna.
- Increase the separation between the equipment and receiver.
- Connect the equipment into an outlet on a circuit different from that to which the receiver is connected.
- Consult the dealer or an experienced radio/TV technician for help.

## US

### Warranty

HORI warrants to the original purchaser that the product purchased new in its original packaging shall be free of any defects in material and workmanship for a period of 1 year from the original date of purchase. If the warranty claim cannot be processed through the original retailer please contact HORI customer support directly at [info@horiusa.com](mailto:info@horiusa.com). Please visit <http://stores.horiusa.com/policies/> for warranty details.

## EU

### Warranty

For all warranty claims made within the first 30 days after purchase, please check with the retailer where the original purchase was made for details. If the warranty claim cannot be processed through the original retailer or for any other inquiries pertaining to our products, please contact HORI customer support directly at [info@horiuk.com](mailto:info@horiuk.com).

### Simplified Declaration of Conformity

Hereby, HORI declares that this product is in compliance with Directive 2014/53/EU.

The full text of the EU declaration of conformity is available at the following internet address:

<https://hori.co.uk/consumer-information/>

For UK: Hereby, HORI declares that this product is in compliance with the relevant statutory requirements.

The full text of the declaration of conformity is available at the following internet address:

<https://hori.co.uk/consumer-information/>

---

Microsoft, Xbox, Xbox "Sphere" Design, Xbox Series X|S, Xbox One, Windows are trademarks of the Microsoft group of companies.

All other trademarks are the property of their respective owners.

Manufactured and distributed under license from Sony Interactive Entertainment.

Ages 6+