

HORI HOTAS FLIGHT CONTROL SYSTEM & MOUNT
for PC (Windows® 11 / 10)

Instruction Manual

Thank you for purchasing this product.
Before using this product, please read the instructions carefully.
After reading the instruction manual, please keep it for reference.

Table of Contents

Quick Start Guide	2
Caution	3
Contents	4
Compatible Hardware	4
Layout and Features	5-6
▶ Joystick	
└ Hand Rest	
▶ Throttle	
└ Throttle Resistance Adjustment Dial	
└ Connector	
How to Set Up	7-9
▶ When using on top of desk	
▶ When mounting to a desk with the clamp	
└ Clamp mounting instructions	
App [HORI Device Manager Vol.2]	10
▶ Download App	
▶ About Profile	
Main Features	11

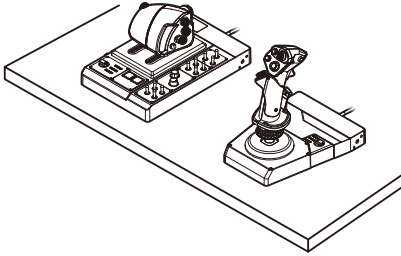


◀ **Compatible Software**

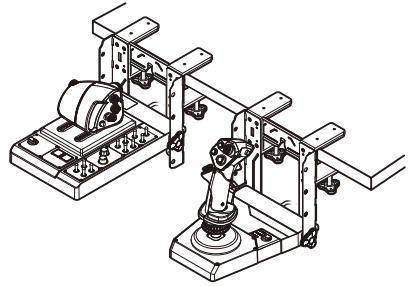
<https://stores.horiusa.com/hpc-045U/compatibility/>

Quick Start Guide

1 Position the Joystick and Throttle.

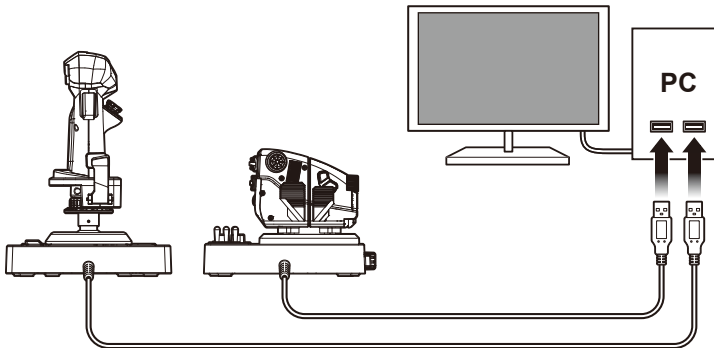


When using on top of desk
⇒ p. 7



When mounting to a desk with the clamp
⇒ p. 7-9

2 Connect the Joystick and Throttle to the PC.



Please follow the instructions below to avoid malfunction.

- Do not use this product with a USB hub or extension cable.
- Do not plug or unplug the USB during use.
- Please do not push buttons or move the Joystick or Throttle when connecting this product to a PC, turning on the PC, or waking the PC from sleep mode.

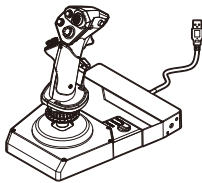


Caution

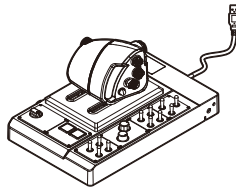
Parents / Guardians:
Please read the following information carefully.

- This product contains small parts. Keep away from children under 3 years old.
- Keep this product away from small children or infants. Seek medical attention immediately if any small parts are swallowed.
- Long cord. Strangulation hazard.
- Keep the product away from dusty or humid areas.
- Do not use this product if it has been damaged or modified.
- Do not get this product wet. This may cause an electric shock or malfunction.
- Do not place this product near heat sources or leave under direct sunlight for an extended period. Overheating may cause malfunction.
- Do not use this product with a USB hub or extension cable. The product may not function properly.
- Do not touch the metal parts of the USB plug.
- Do not apply strong impact or weight on the product.
- Do not pull roughly or bend the cable of the product.
- Do not disassemble, modify or attempt to repair this product.
- If product needs cleaning, use only a soft dry cloth. Do not use any chemical agents like benzene or thinner.
- The wires are not to be inserted into socket-outlets.
- The packaging must be retained since it contains important information.
- The normal function of the product may be disturbed by strong electro-magnetic interference. If so, simply reset the product to resume normal operation by following the instruction manual. In case the function does not resume, please relocate to an area which does not have electro-magnetic interference to use the product.
- Do not use this product for anything other than its intended purpose. We are not responsible for any accidents or damages in the event of use other than the intended purpose.

Contents



Joystick × 1



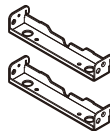
Throttle × 1



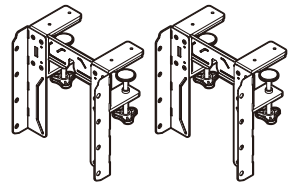
Instruction Manual × 1



Hand Rest × 1



Mounting Parts × 2



Clamp × 2



M5 Screws × 4



M4 Screws × 4



Knob Screws × 4

Desk Mounting Parts

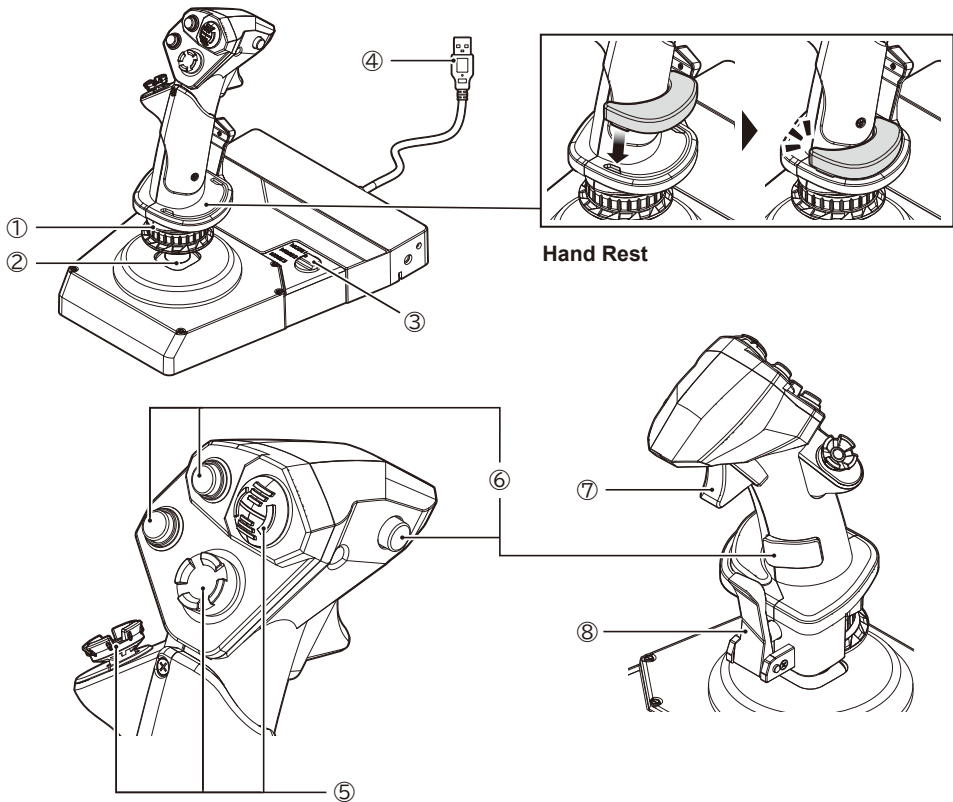
Compatible Hardware

PC (DirectInput)

Supported OS	Windows® 11 / 10
Input Method	DirectInput
System Requirements	USB-A Port

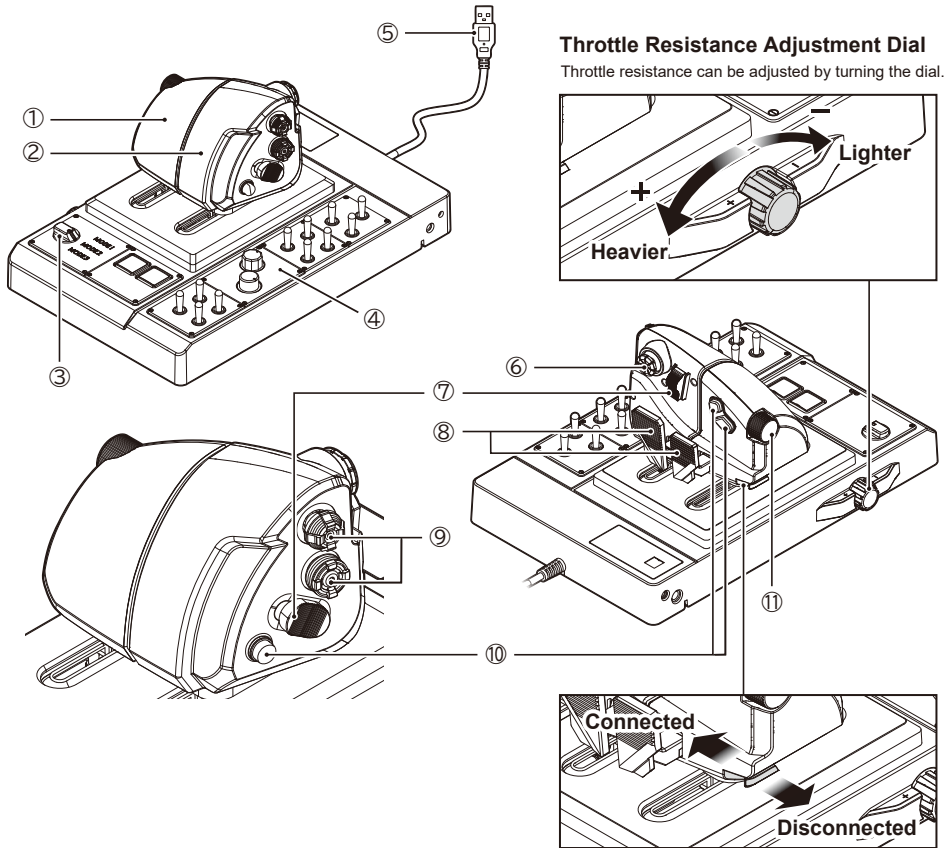
Functions as PC controller through DirectInput. This product does not support XInput.

Joystick



- ① Rudder Axis
- ② Joystick Axis
- ③ Profile Selector Dial
- ④ USB-A Connector
- ⑤ 4-way Hat Switch
- ⑥ Action Button
- ⑦ Dual Stage Trigger
- ⑧ Stick Button

Throttle



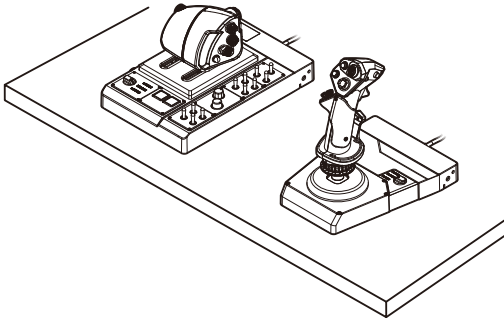
Throttle Resistance Adjustment Dial
Throttle resistance can be adjusted by turning the dial.

Connector
By sliding the connecting pin, the left and right throttles can be connected / disconnected.

- ① Left Throttle
- ② Right Throttle
- ③ Profile Selector Dial
- ④ Control Panel
 - Toggle Switch × 11
 - Volume Dial × 2
 - Button × 2
- ⑤ USB-A Connector
- ⑥ Analog Stick
- ⑦ 2-way Hat Switch
- ⑧ Rudder Axis
- ⑨ 4-way Hat Switch
- ⑩ Action Button
- ⑪ Dial Switch (2-way)

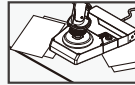
How to Set Up

When using on top of desk

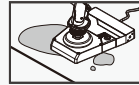


Please read before setup

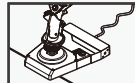
- Do not attach to any unstable surface as shown in the diagram below.



Object underneath

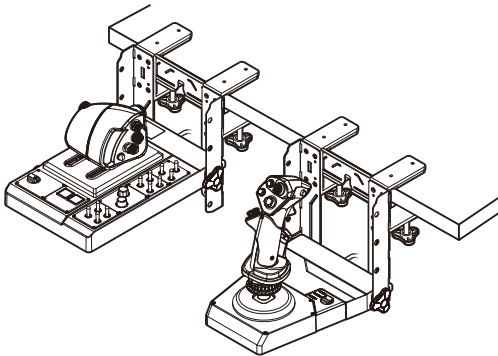


Wet surface

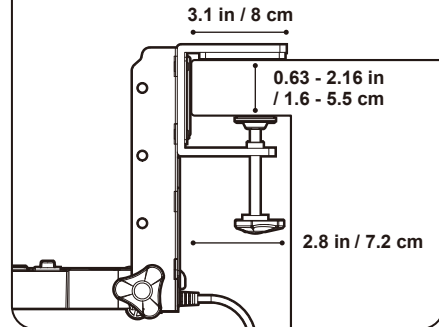


Sticking out from the desk

When mounting to a desk with the clamp



Flat, hard surface required (i.e., table)

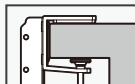


Please read before setup

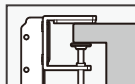
- Support the Joystick / Throttle during the mounting process until the product is fully secured.
- Carefully detach from furniture to prevent damage to furniture or product.
- Do not attach to any unstable surface as shown in the diagram below.



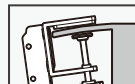
Uneven



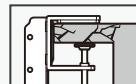
Too thick



Shallow clamp grip



Thin or soft



Fragile (i.e., glass)

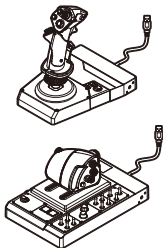
■ Clamp mounting instructions

Joystick / Throttle

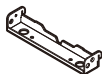
Both devices can be mounted using the following procedure.

What to use

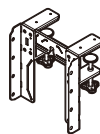
① Device



② Mounting Parts × 1



③ Clamp × 1



④ M5 Screws × 2



⑤ M4 Screws × 2

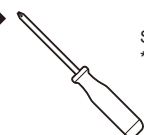


⑥ Knob Screws × 2



× 2 Sets

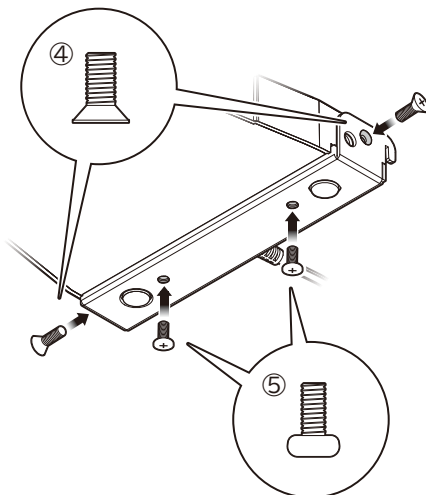
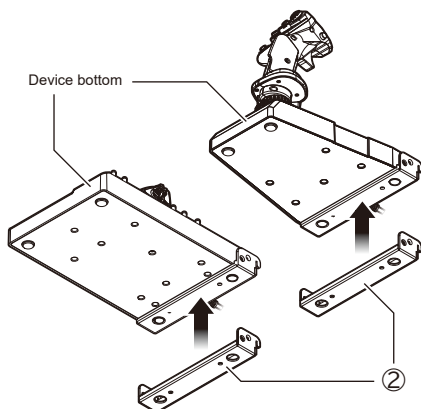
Preparation



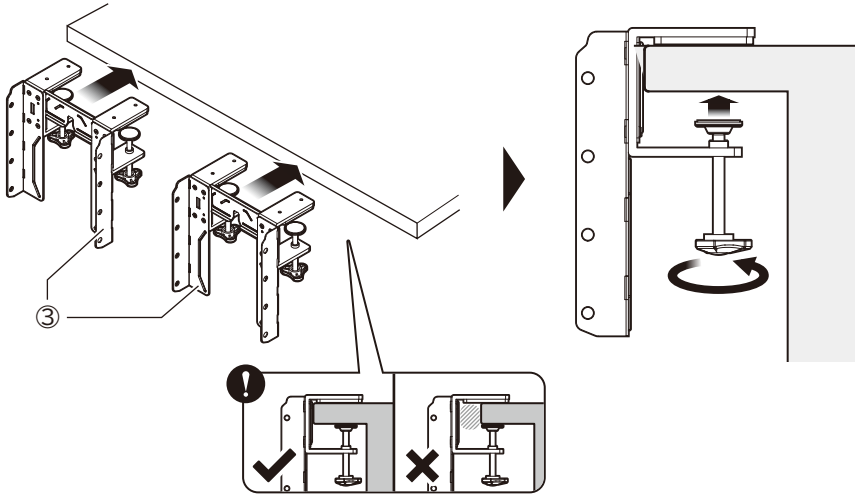
Screwdriver
*Not included

1

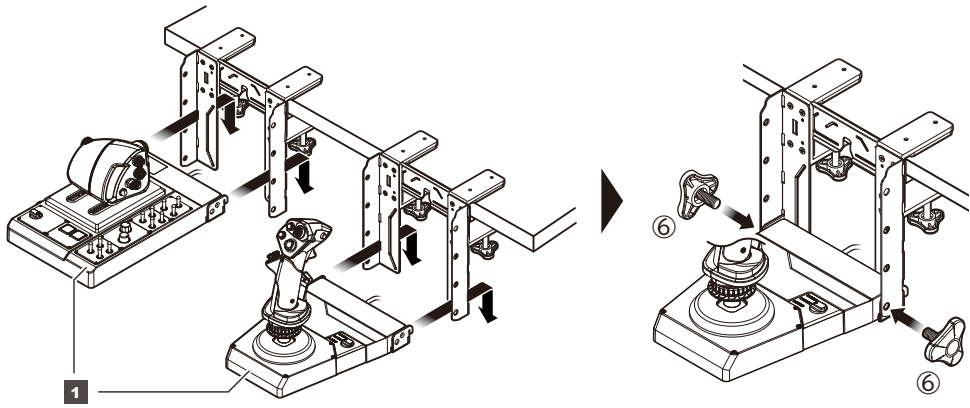
Attach the Mounting Part to the device.



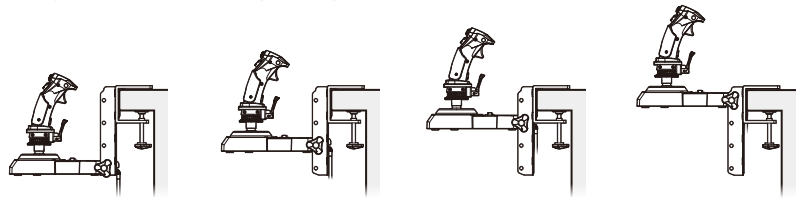
2 Attach the clamp to the desk.



3 Attach **1** to the clamp.



Please adjust at your preferred height during step 3.



App [HORI Device Manager Vol.2]

Customize button configuration, joystick sensitivity, and other settings using the companion app.

Download App

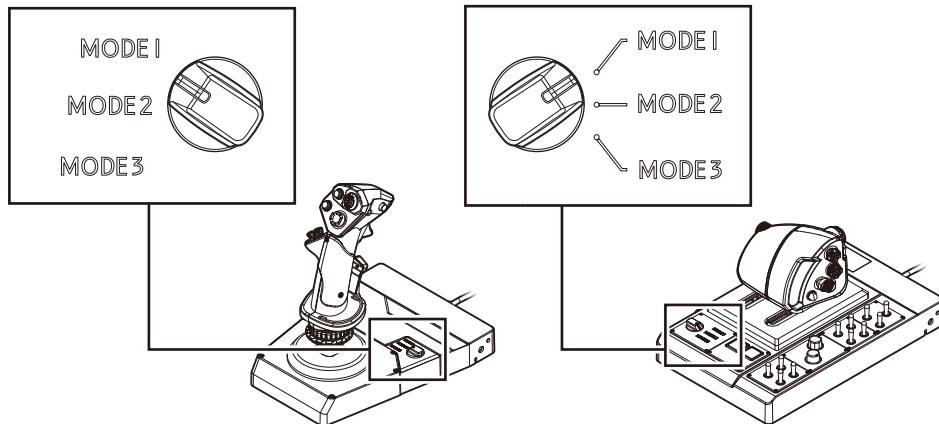
<https://stores.horiusa.com/hpc-045U/>

Supported OS	Windows® 11 / 10
System Requirements	USB-A Port, Internet Connection

About Profile

You can adjust the settings with the companion app and save up to three profiles on both the Joystick and Throttle independently.

The saved profiles can be switched easily by using the [Profile Selector Dial] on the base of both devices.



Main Features

Joystick

External Dimensions	: W 7.5 × D 10 × H 9.8 in / W 19 × D 25.3 × H 25 cm
---------------------	---

Weight	: 2.9 lbs / 1.3 kg
--------	--------------------

Connection Type	: USB-A
-----------------	---------

Cable Length	: 10 ft / 3 m
--------------	---------------

Throttle

External Dimensions	: W 7.5 × D 11.8 × H 6.1 in / W 19 × D 30 × H 15.5 cm
---------------------	---

Weight	: 4.4 lbs / 2 kg
--------	------------------

Connection Type	: USB-A
-----------------	---------

Cable Length	: 10 ft / 3 m
--------------	---------------

Clamp

External Dimensions	: W 8 × D 4.9 × H 8.5 in / W 20.2 × D 12.5 × H 21.6 cm
---------------------	--

Weight	: 3.5 lbs / 1.6 kg
--------	--------------------

Mountable surface thickness	: 0.63 - 2.16 in / 1.6 - 5.5 cm
-----------------------------	---------------------------------

For more information please visit this website

<https://stores.horiusa.com/hpc-045U/>



CAUTION:

Any changes or modifications not expressly approved by the party responsible for compliance could void the user's authority to operate the equipment.

THE FCC WANTS YOU TO KNOW

This device complies with part 15 of the FCC Rules. Operation is subject to the following two conditions: (1) This device may not cause harmful interference, and (2) this device must accept any interference received, including interference that may cause undesired operation.

NOTE: This equipment has been tested and found to comply with the limits for a Class B digital device, pursuant to part 15 of the FCC Rules. These limits are designed to provide reasonable protection against harmful interference in a residential installation. This equipment generates, uses and can radiate radio frequency energy and, if not installed and used in accordance with the instructions, may cause harmful interference to radio communications. However, there is no guarantee that interference will not occur in a particular installation.

If this equipment does cause harmful interference to radio or television reception, which can be determined by turning the equipment off and on, the user is encouraged to try to correct the interference by one or more of the following measures:

- Reorient or relocate the receiving antenna.
- Increase the separation between the equipment and receiver.
- Connect the equipment into an outlet on a circuit different from that to which the receiver is connected.
- Consult the dealer or an experienced radio/TV technician for help.

CAN ICES-003(B) / NMB-003(B)

This Class B digital apparatus complies with Canadian ICES-003.
Cet appareil numérique de la classe B est conforme à la norme NMB-003 du Canada.

Simplified Declaration of Conformity

Hereby, HORI declares that this product is in compliance with Directive 2014/53/EU.
The full text of the EU declaration of conformity is available at the following internet address:
<https://hori.co.uk/consumer-information/>

For UK: Hereby, HORI declares that this product is in compliance with the relevant statutory requirements.
The full text of the declaration of conformity is available at the following internet address:
<https://hori.co.uk/consumer-information/>

PRODUCT DISPOSAL INFORMATION

Where you see this symbol on any of our electrical products or packaging, it indicates that the relevant electrical product or battery should not be disposed of as general household waste in Europe. To ensure the correct waste treatment of the product and battery, please dispose of them in accordance with any applicable local laws or requirements for disposal of electrical equipment or batteries. In so doing, you will help to conserve natural resources and improve standards of environmental protection in treatment and disposal of electrical waste.



HORI warrants to the original purchaser that our product purchased new in its original packaging shall be free of any defects in both material and workmanship for a period of one year from the original date of purchase. If the warranty claim cannot be processed through the original retailer, please contact HORI customer support.

For customer support in North America and Latin America, please use our customer support form:
<https://stores.horiusa.com/contact-us/>

For customer support in Europe, please email info@horiuk.com

Warranty Information:
For North America, LATAM, Australia : <https://stores.horiusa.com/policies/>
For Europe & Middle East : <https://hori.co.uk/policies/>

-
- Actual product may differ from image.
 - The manufacturer reserves the right to change the product design or specifications without notice.
 - Functions other than those listed are not provided.
 - Objects other than those listed in the contents are not included.
 - HORI & HORI logo are registered trademarks of HORI.
 - All other trademarks are the property of their respective owners.